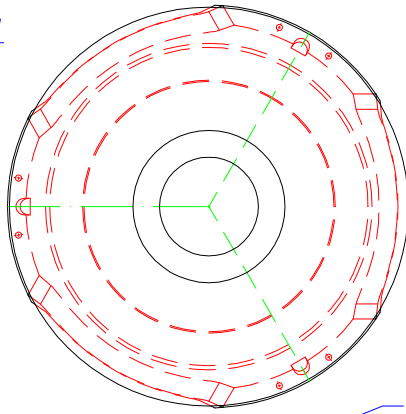
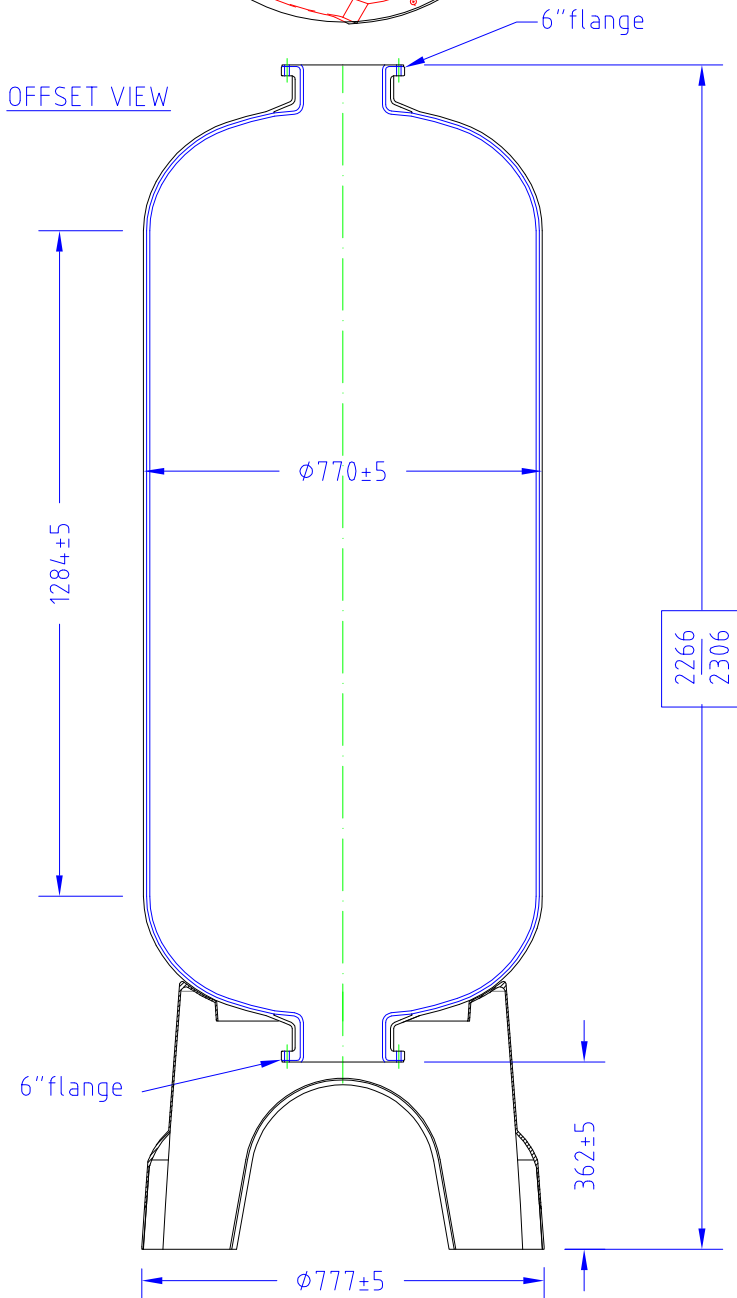



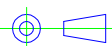
TOP VIEW



OFFSET VIEW



Material Inner shell : PE  
 Laminate : Blue epoxy - glass laminate  
 Operating pressure : min 0 bar - max 10 bar  
 Testing pressure : 11 bar  
 Operating temperature: min 1°C - max 65°C  
 Volume tank : ±712liter /   
 Weight empty tank : ±85kg

APPROVAL DRAWING		Location	REVISION DESCRIPTION		Approved	Date
Customer :	/	 <p>Pentair Water                      Industriepark Wolfstee                      Toekomstlaan 30                      HERENTALS BELGIUM</p>	Article :	Scale :	none	
Quantity ordered :	/		Cad filename :	Date :	25 November 2014	
Delivery date :	/		Model filename :	Drawn :	Arnaud Cuylen	
Approval signature by customer :		Approval date :	Description :	Remarks :	Approved :	Date :
			NAT FLNG H-WATER-6"T+B,BASE	Boxed dims. are critical for Q.A	GJ./SVC.	A 4
				Material :	Projection :	
				see table		
					Drawing number :	C-3078-F7HW